



972

976

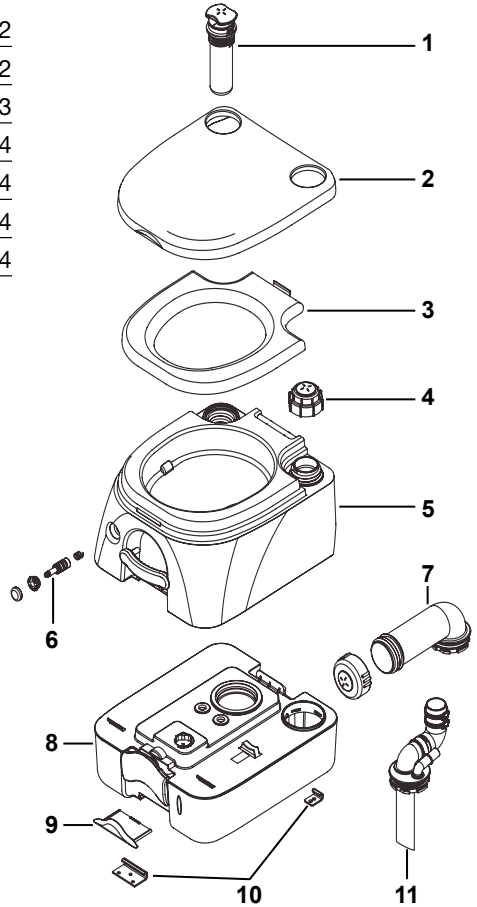
**MGD Caravan & Camping
Freephone 0800 970 9486
www.mgdcaravancamping.co.uk
sales@mgdcaravancamping.co.uk**

**Unit 1 Jackson's Yard
459 Uttoxeter Road
Blythe Bridge
Stoke on Trent
Staffordshire
ST11 9NT**

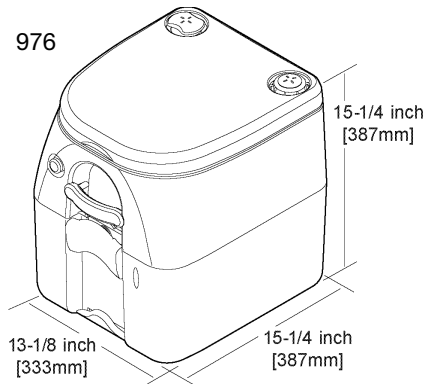
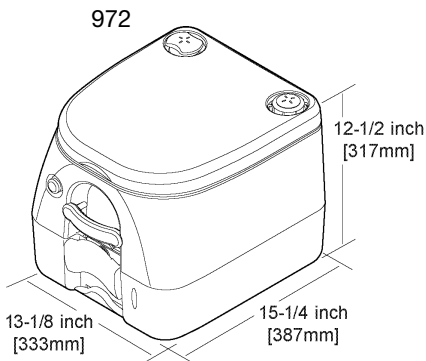
Parts	2
Dimensions	2
Operation	3
Cleaning and Storage	4
More Information	4
Warranty and Customer Service	4
Product Liability	4

PARTS

1	Air pump
2	Seat cover
3	Seat
4	Water cap
5	Bowl assembly
6	Flush button
7	Discharge spout
8	Holding tank – 2.6 gal./9.8 L (972) Holding tank – 5.0 gal./18.9 L (976)
9	Locking handle (for use with optional mounting brackets)
10	Mounting brackets (optional - sold separately)
11	MSD fitting (optional - sold separately)



DIMENSIONS

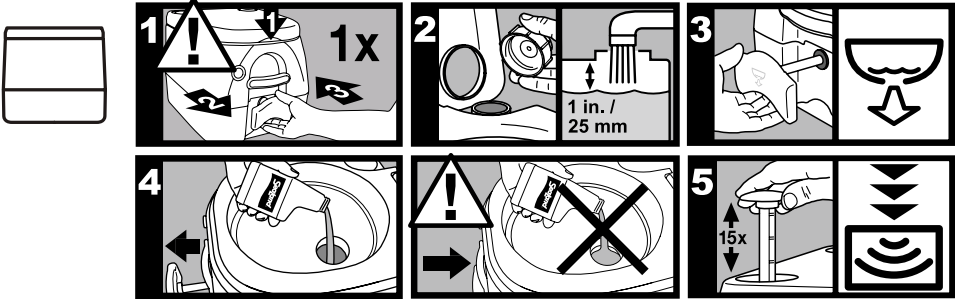


All dimensions may vary
± 3/8 inch (10mm).

OPERATION

Prepare toilet for use

1. **⚠ CAUTION!** With seat lid closed, pull flush handle to open slide valve, then push to close. This relieves air pressure that may be created in lower holding tank due to changes in temperature or altitude.
2. Remove water cap and fill upper tank until it reaches about 1 inch (25 mm) below opening. Replace cap.
3. Pull flush handle to open slide valve.
4. Pour deodorant directly into lower tank, then close slide valve.
⚠ CAUTION! Never pour deodorant into bowl with slide valve closed.
5. Stroke air pump about 15 times or until air emits through relief valve on water cap.
⚠ CAUTION! Do not over pressurize upper tank by covering relief valve. Do not pressurize upper tank when disconnected from lower tank.



Use toilet

1. **⚠ CAUTION!** BEFORE EACH USE, with seat lid closed, pull flush handle to open slide valve, then push to close. This relieves air pressure that may be created in lower holding tank due to changes in temperature or altitude.
2. Pull flush handle to release waste into lower tank.
3. Push flush button to rinse bowl. Push flush handle to close slide valve.



Empty holding tank

1. When tank level indicator shows “full,” empty the lower tank.
2. Pull up on rear latch to separate upper tank from lower tank. Carry lower tank to authorized waste disposal area (or normal toilet).
3. Rotate discharge spout away from tank, and open vent on top of holding tank. Empty tank.
4. If water is available, rinse lower tank before reassembling portable toilet.



CLEANING AND STORAGE

Clean with mild cleanser that will not harm the finish. Avoid petroleum-based household cleaners. Store the portable toilet dry and clean.

MORE INFORMATION

For more information on this toilet and other Dometic products, visit www.dometic.com.

WARRANTY AND CUSTOMER SERVICE

Warranty arrangements are in accordance with EC Directive 44/1999/CE and the normal conditions applicable for the country concerned. For warranty or other servicing, please contact our Dometic Service department. Any damage due to improper use is not covered by the warranty.

The warranty does not cover any modifications to the appliance or the use of non-original Dometic parts; the warranty does not apply if the installation and operating instructions are not adhered to and no liability shall be entertained.

Parts can be ordered throughout Europe from our Dometic Service department.

PRODUCT LIABILITY

Product liability of Dometic GmbH does not include damages which may arise from: faulty operation; improper alterations or intervention in the equipment; adverse effects from the environment which may impact the equipment itself or the direct vicinity of the equipment or persons in the area.

® Registered; ™ Trademark of Dometic Corporation

© Dometic Corporation

600345650 7/07

MGD Caravan & Camping
Freephone 0800 970 9486
www.mgdcaravancamping.co.uk
sales@mgdcaravancamping.co.uk

Unit 1 Jackson's Yard
459 Uttoxeter Road
Blythe Bridge
Stoke on Trent
Staffordshire
ST11 9NT