

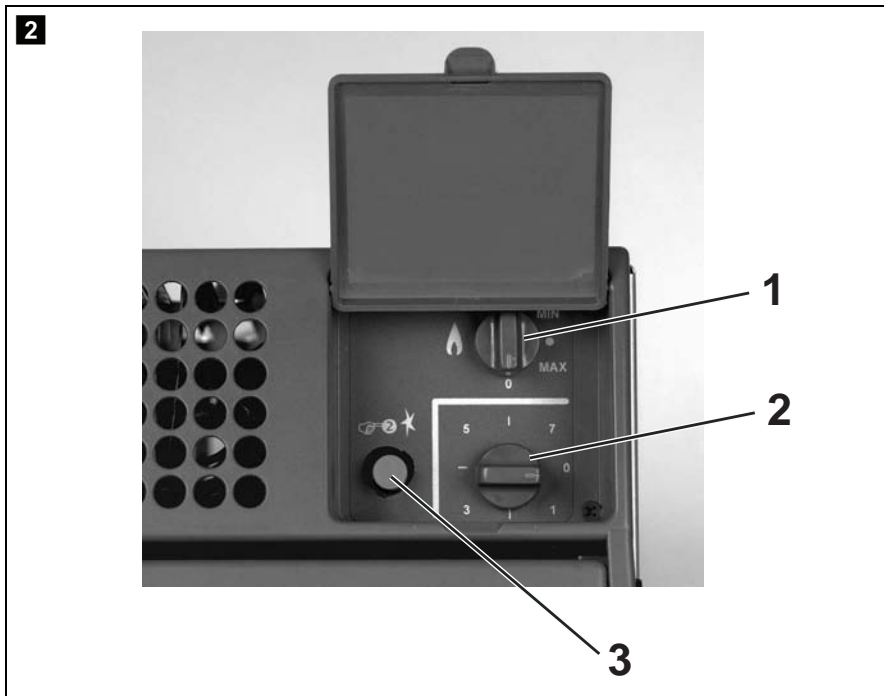
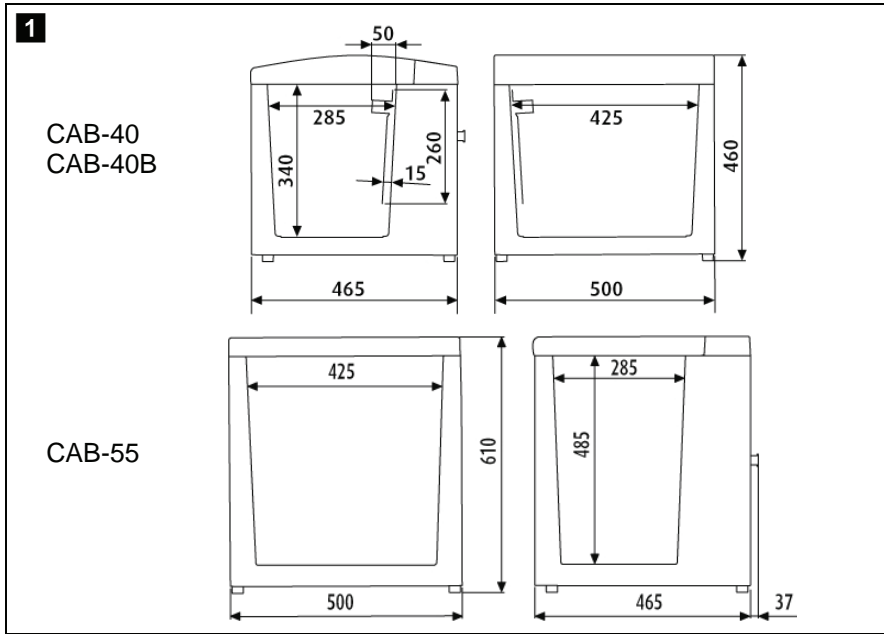


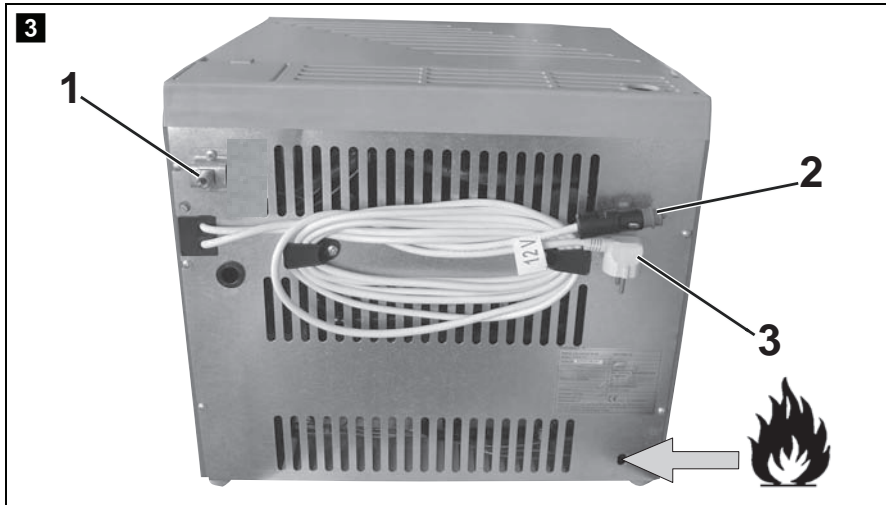
WAECO CombiCool CAB-40B, CAB-40, CAB-55

WAECO mobile solutions

MGD Coolers
Unit 1 Jackson's Yard
459 Uttoxeter Road
Blythe Bridge
Stoke on Trent
Staffordshire
ST11 9NT
Freephone 0800 970 9486
www.mobilecoolbox.co.uk

CombiCool





Please read this operating manual carefully before starting the device. Keep it in a safe place for future reference. If the device is to be resold, this operating manual must be handed over to the purchaser along with it.

Contents

1	Notes on using the manual	18
2	Safety instructions	19
3	Scope of delivery	21
4	Intended use	22
5	Technical description	22
6	Using the cooler	23
7	Cleaning and maintenance	28
8	Guarantee	28
9	Troubleshooting	29
10	Disposal	30
11	Technical data	30

1 Notes on using the manual

The following symbols are used in this operating manual:



Caution

Safety instruction: Failure to observe this instruction can cause injury or damage the device.



Caution

Safety instruction relating to a danger from an electrical current or voltage. Failure to observe this instruction can damage the device, impair its function and cause injury.



Note

Supplementary information on operating the device.

- **Action:** This symbol indicates that action is required on your part. The required action is described step-by-step.
- ✓ This symbol describes the result of an action.

Please also observe the following safety instructions.

2 Safety instructions

2.1 General safety



- Do not operate the device if it is visibly damaged.
- If the connection cable or the hose line is damaged, it must be replaced with a special cable or a special hose. You can order the spare part from the manufacturer or customer service.
- Do not damage the cooling system.
- Do not place any electrical devices inside the cool box.
- Ensure that the ventilation slots are not covered.
Observe the following minimum distances:
 - A gap of at least 10 cm at the rear
 - A gap of at least 5 cm on either side
- The cooling device is not suitable for transporting substances which are caustic or contain solvents.



- Pull out the connection cable or disconnect the hose:
 - Before cleaning and maintenance
 - After use
- This device may only be repaired by qualified personnel. Improper repairs can lead to considerable hazards.

2.2 Operating the device safely



- **Electronic devices are not toys.**
Always keep and use the device well out of the reach of children.
- **Danger of fatal injury!**
Do not touch exposed cables with your bare hands. This especially applies when operating the device from an AC mains.
- Never immerse the device in water.
- Protect it from splashing water.
- Protect it from rain and moisture.
- Only use the device where there is good ventilation.



- Persons (including children) whose physical, sensory or mental capabilities or lack of experience and knowledge prevent them from using the device safely should not use this device without initial supervision or instruction by a responsible person.
- Only operate the device from a **single** energy source.
- Do not place it near naked flames or other heat sources (heaters, direct sunlight, gas ovens etc.).
- Do not fill the inner container with ice or fluid.
- The manufacturer cannot be held liable for damage resulting from **improper usage** or **incorrect operation**.

2.3 Operating the device safely at 12 V DC



- The 12 V socket in the vehicle must be protected by a fuse with a maximum rating of 15 A.
- Only connect the device to the 12 V vehicle power supply using the 12 V connection cable supplied (**3** 2, page 4).

2.4 Operating the device safely at 220 V – 240 V



- Only use the cable (220 V – 240 V, (**3** 3, page 4) supplied to connect the device to the AC mains.
- Never pull the plug out of the socket by the cable.
- Before starting the device, ensure that the power supply line and the plug are dry.
- Check that the voltage specification on the type plate is the same as that of the power supply.

2.5 Operating the device safely with gas



- Only operate the device with gas **outdoors**.
- Only use propane or butane gas (**not** natural gas or LPG).
- **Do not use gas** to operate the device in cars, boats or enclosed spaces.
- When using the device in tents, awnings and on level patios, ensure that there is sufficient air circulation and ventilation.
- The device cover gets hot in the burner area (**3** page 4). Never place the device near flammable materials (paper, dry leaves, textiles).
- **Always** operate the device at the pressure shown on the type plate.
- **Never** store liquid gas cylinders where there is poor ventilation or below ground level (funnel-shaped holes in the ground).
- Keep liquid gas cylinders away from direct sunlight. The temperature may not exceed 50 °C.
- The device may not be operated with gas on ferries.
- Make sure the hoses:
 - Are not jammed or kinked
 - Are at a safe distance from the burner (**3** page 4)
- If you smell gas:
 - Close the gas supply cock and close the valve on the cylinder.
 - Do not use any electrical switches.
 - Put out any naked flames.

3 Scope of delivery

Quantity	Description
1	Cooler
1	Tray with cover for making ice cubes
1	Operating manual

4 Intended use



The cooler is suitable for cooling foodstuffs. It can also be used for camping.

If you wish to cool medicines, please check if the cooling capacity of the device is suitable for the medicine in question.



The cooler has been designed for operation with a 12 V DC voltage source (e.g. the cigarette lighter of a vehicle) or alternatively for operation with a mains voltage of 220 – 240 V AC.



The cooler can be operated independently of a voltage supply with liquid gas (propane or butane).

5 Technical description

The cooler is suitable for use when camping, on a patio, in the garden, or anywhere where a 12 V DC power connection (such as the cigarette lighter in a vehicle) or a 220 – 240 V mains voltage is available. You can also operate the cooler with liquid gas.

The device cools with a maintenance-free absorber circuit. Concentrated ammoniac solution is heated in a boiler and then driven out in gaseous form. The gas which is subjected to high pressure, is liquefied in a condenser and then evaporated by adding hydrogen. This removes warmth in the cooling area.

5.1 Energy saving tips

- Choose a well ventilated location which is protected from direct sunlight.
- Allow hot food to cool down first before you place it into the device.
- Do not open the cooler more often than necessary.
- Do not leave the lid open for longer than necessary.
- Arrange the food in the cooler so that air can circulate inside.

6 Using the cooler



Before starting your new cooler for the first time, you should clean it inside and outside with a damp cloth for hygienic reasons (please also refer to the “Cleaning and maintenance” on page 28).



Food may only be stored in its original packaging or in suitable containers.



Cool the cooler for about 24 hours before starting your journey using gas or electricity from the mains. This way your cooler will attain the required cooling capacity faster when you reach your destination.



The cooling capacity can be influenced by:

- The ambient temperature
- The amount of food to be conserved
- The frequency with which the lid is opened



It may give off a smell for a short time when it is first operated.

- Place the cooler on a firm, level surface. Check that it is level ($\pm 2^\circ$) with a spirit level.
- Open the control panel cover (**2** page 3).



Ensure that the objects placed in the cooler are suitable for cooling to the selected temperature.



Ensure that food or liquids in glass containers are not excessively refrigerated. Liquids expand when they freeze. This can break the glass containers.

6.1 Operating with 220 V – 240 V



Check that the voltage specification on the type plate is the same as that of the power supply.

- ▶ Plug the earthed plug (**3** 3, page 4) into a properly installed safety plug socket.
- ▶ Set the thermostat control (**2** 2, page 3) to “7” (maximum cooling capacity).
- ▶ Wait until the temperature in the cooler has dropped.
- ▶ Set the thermostat control (**2** 2, page 3) to the desired temperature range.
- ▶ To **switch off** the cooler, set the thermostat control (**2** 2, page 3) to “0” and pull out the plug.

6.2 Operating with 12 V DC



You cannot set the temperature with the thermostat control during battery operation. The device is simply switched on and starts cooling.



Disconnect the cooler from the battery when the engine is not running as otherwise the battery will be completely run down and the vehicle might not start.

- ▶ Ensure the 12 V socket in the vehicle is protected by a fuse with a maximum rating of 15 A.
- ▶ Ensure that the thermostat control for 220 V – 240 V operation (**2** 2, page 3) is in the “0” position.
- ▶ Insert the plug of the connection cable (**3** 2, page 4) into the 12 V DC socket (e.g. cigarette lighter).
The polarity is optional.
- ▶ To **switch off** the cooler, pull the plug out of the socket.

6.3 Operating with a gas source



Only use propane or butane gas bottles with an approved pressure reduction valve and suitable top part.



Compare the pressure information on the type plate with the pressure information on the propane or butane gas cylinder.



The connection line and the connection to the gas supply must be replaced in accordance with national guidelines.

- Position the gas cylinder **vertically** at a distance of at least 1 metre away from the burner (on the back of the cooler).
- Check if the valve on the gas cylinder is closed.
- Fit the pressure regulator on the gas cylinder. Follow the assembly instructions for the pressure regulator.

- Make sure that the hose line
 - Is not crushed or kinked
 - Is a safe distance from the burner
- Open the valve on the gas cylinder.



Never check for leaks with an open flame or near sources of ignition.

- Check all connections with a leak detection spray. If **no** bubbles form, there are no leaks. If the system is leaking it must never be started up.
- Make sure:
 - The thermostat control for 220 V – 240 V operation (**2** 2, page 3) is in the “0” position.
 - The battery plug is not connected.
- Turn the gas control (**2** 1, page 3) and hold it in the “max” position for approx. 10 s to force out any air in the hose connection.



The “max” position is marked with a point on the gas control. Turn the gas control past the point to extinguish the flame.

- Press the ignition button several times in succession (**2** 3, page 3) with the gas control held down.
- Hold down the gas control for another 15 seconds and check to see if there is a flame in the burner.



The device is fitted with a pilot light. The gas supply is interrupted when the flame goes out.

- ✓ When the flame is burning, the cooler is ready for use.
- If the flame does not ignite, repeat the procedure.



Note

If it is not possible to light the gas with the ignition button due to high air humidity, you can light the gas burner with a match at the opening in the back panel of the device when the gas control is pressed in.

- Check that all hose lines and all connections are in a technically perfect condition at regular intervals.

- To **switch off** the cooler, **first** close the valve on the cylinder and then turn the gas control (**2** 1, page 3) towards “0”.

Replacing the gas cylinder



Change the gas cylinder in a well-ventilated location.
Ensure that there are no open flames in the vicinity.
Only replace the gas cylinder when the cooler is switched off.

- Completely close the valve on the gas bottle.
- Switch off the cool box by turning the gas control (**2** 1, page 3) to the “0” position.
- Unscrew the pressure regulator from the bottle.
- Check the condition of the hose line.
Replace the hose line if the material is brittle or porous.
- Tightly screw the pressure regulator onto the new cylinder.

6.4 Defrosting the cooler

Humidity can form frost in the interior of the cooler. This reduces the cooling capacity. Therefore, defrost it before this happens.



Caution

Never use hard or pointed tools to remove ice or to loosen objects which have frozen in place.

To defrost the cooler, proceed as follows:

- Take the contents out.
- If necessary, put them in another cooling device.
- Switch the cooler off.
- Leave the cover open.
- When everything has defrosted, empty the cooler and wipe it out.

6.5 Switching off and storing the cooler

If you do not intend to use the cooler for a long time, proceed as follows:

- Switch the cooler off.
- Disconnect the power supply or the hose line to the gas cylinder.
- Clean the cooler (see “Cleaning and maintenance” on page 28).
- Leave the lid open.
This prevents odours from forming.

7 Cleaning and maintenance

**Caution**

Before cleaning the cooler disconnect the power cable or the hose line.

**Caution**

Do not clean the cooler under running water or in dish water.

**Caution**

Do not use abrasive cleaning agents or hard objects for cleaning as these can damage the cooler.

- Clean the interior of the cooler with a damp cloth from time to time.
- Wipe the outside with a damp cloth.

8 Guarantee

Our general guarantee conditions apply.

For repair and guarantee processing please contact WAECO branch in your country (see the back of the instruction manual for the addresses) or your dealer.

If purchased from MGD Coolers please call customer services on 01782 39444.

- Proof of purchase is required
- Reason for the claim or a description of the fault

9 Troubleshooting

In the event of malfunction, please check the following:

Fault	Possible cause	Suggested remedy
The cooler does not work.	The cooler is not properly connected to the electricity supply.	Check if the voltage supply is in full working order. Check if all electrical contacts are in full working order. Check if the voltage supply corresponds to the value on the type plate. Check if the thermostat control is switched on. Check if several energy sources are connected at the same time.
	The cooler is not properly connected to the gas.	Check if the gas supply is in full working order. Check if the valve on the gas bottle is open. Check if there is still gas in the bottle. Check if several energy sources are connected at the same time. Hold the rotary switch longer when igniting.
	The cooler has not been set up properly.	Check if the device is horizontal. Check if the ventilation of the device is sufficient.
	The cooler has not been filled properly.	Check if warm food has been put into the device. Check if the cooling space has been overfilled or packed too densely.
The cooler does not start up after a long period of inactivity.	The refrigerant circuit is defective.	This can only be repaired by an authorised repair centre.
	–	Disconnect the device from the energy supply and turn the cooler upside down and wait around five minutes. Turn the cooler the right way up again and switch it on again.




10 Disposal

- If possible, always take the packaging material for recycling.



If you wish to scrap the device, ask your local recycling centre or specialist dealer for details about how to do this in accordance with the applicable disposal regulations.

11 Technical data

	CAB-40B	CAB-40	CAB-55
Item number (30 mbar):	CAB-40B-PB30	CAB-40-PB30	CAB-55-PB30
Item number (50 mbar):	CAB-40B-PB50	CAB-40-PB50	CAB-55-PB50
Capacity:	Approx. 40 l		Approx. 55 l
Dimensions:	See 1 page 3		
Gas consumption:	13 g/h		19 g/h
Connection pressure by country D, AU, LU, CH, CZ, HU: SE, NO, NL, FI, DK: GB, E, FR, BE, IE, IT, PT:	Category I ₃ , liquid gas 50 mbar 30 mbar 28 – 30/37 mbar		
Connection to 220 V – 240 V			
Power consumption:	75 W	100 W	
Current consumption:	0.33 A	0.43 A	
12 V connection			
Power consumption:	75 W	100 W	
Current consumption:	6.25 A	8.33 A	
Temperature class:	N		
Weight:	Approx. 16 kg	Approx. 16 kg	Approx. 20 kg
Inspection/certification:	  		

Versions, technical modifications and delivery options reserved.

WAECO

mobile solutions

MGD Coolers
 Unit 1 Jackson's Yard
 459 Uttoxeter Road
 Blythe Bridge
 Stoke on Trent
 Staffordshire
 ST11 9NT
 Freephone 0800 970 9486
www.mobilecoolbox.co.uk

Headquarters

(D) **WAECO International GmbH** - Hollefeldstraße 63 · D-48282 Emsdetten
 ☎ +49 2572 879-195 · ☎ +49 2572 879-322 · Mail: info@waeco.de · Internet: www.waeco.de

Europe

(A) **WAECO Austria GmbH**
 Neudorferstrasse 108
 2353 Guntramsdorf
 ☎ +43 2236 908070
 ☎ +43 2236 90807060
 Mail: info@waeco.at

(CH) **WAECO Schweiz AG**
 Riedackerstrasse 7a
 CH-8153 Rümlang (Zürich)
 ☎ +41 44 8187171
 ☎ +41 44 8187191
 Mail: info@waeco.ch

(DK) **WAECO Danmark A/S**
 Tværvej 2
 DK-6640 Lunderskov
 ☎ +45 75585966
 ☎ +45 75586307
 Mail: waeco@waeco.dk

(E) **WAECO Ibérica S.A.**
 Camí del Mig, 106
 Poligono Industrial Les Corts
 E-08349 Cabrera de Mar
 (Barcelona)
 ☎ +34 93 7502277
 ☎ +34 93 7500552
 Mail: info@waeco.es

(F) **WAECO Distribution SARL**
 ZAC 2 · Les Portes de L'Oise
 Rue Isaac Newton
 F-60230 Chambly (Paris)
 ☎ +33 1 30282020
 ☎ +33 1 30282010
 Mail: info@waeco.fr

(FIN) **WAECO Finland OY**
 Mestarintie 4
 FIN-01730 Vantaa
 ☎ +358 20 7413220
 ☎ +358 9 7593700
 Mail: waeco@waeco.fi

(I) **WAECO Italcold SRL**
 Via dell'Industria 4/0
 I-40012 Calderara di Reno (BO)
 ☎ +39 051 4148411
 ☎ +39 051 4148412
 Mail: sales@waeco.it

(N) **WAECO Norge AS**
 Leif Weldingsvei 16
 N-3208 Sandefjord
 ☎ +47 33428450
 ☎ +47 33428459
 Mail: firmapost@waeco.no

(NL) **WAECO Benelux B.V.**
 Ecustraart 3
 NL-4879 NP Etten-Leur
 ☎ +31 76 5029000
 ☎ +31 76 5029090
 Mail: verkoop@waeco.nl

(S) **WAECO Svenska AB**
 Gustaf Melins gata 7
 S-42131 Västra Frölunda
 (Göteborg)
 ☎ +46 31 7341100
 ☎ +46 31 7341101
 Mail: info@waeco.se

(UK) **WAECO UK Ltd.**
 Dorset DT2 8LY · Unit G1
 Roman Hill Business Park
 UK-Broadmayne
 ☎ +44 1305 854000
 ☎ +44 1305 854288
 Mail: sales@waeco.co.uk

Overseas + Middle East

(AUS) **WAECO Pacific Pty. Ltd.**
 1 John Duncan Court
 Varsity Lakes QLD 4227
 ☎ +61 7 55076000
 ☎ +61 7 55076001
 Mail: sales@waeco.com.au

(HK) **WAECO Impex Ltd.**
 Suites 3210-12 · 32/F · Tower 2
 The Gateway · 25 Canton Road
 Tsim Sha Tsui · Kowloon
 Hong Kong
 ☎ +852 24632750
 ☎ +852 24639067
 Mail: info@waeco.com.hk

(ROC) **WAECO Impex Ltd.**
 Taipei Office
 2 FL-3 · No. 56 Tunhua South Rd, Sec 2
 Taipei 106, Taiwan
 ☎ +886 2 27014090
 ☎ +886 2 27060119
 Mail: marketing@waeco.com.tw

(UAE) **WAECO Middle East FZCO**
 R/A 8, SD 6
 Jebel Ali, Dubai
 ☎ +971 4 8833858
 ☎ +971 4 8833868
 Mail: waeco@emirates.net.ae